

Mini GLOVE BOX 40 Series

Glove ports are located on the sides to allow a compact size. Compact glove box is an enclosed chamber with large front access door. The tilt-up window provides convenient viewing and accessibility. Available with and without gas ports. Inert gas such as nitrogen, argon can be used to control the oxygen and humidity level.

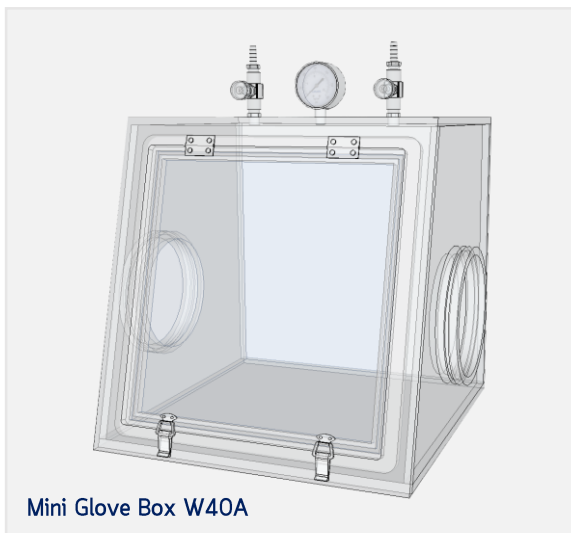


Mini Glove Box W40

They're portable and lightweight that can be setup anywhere. Available in cleanroom-safe materials including clear Acrylic, Static dissipative PVC and polycarbonate.

Features:

- They're portable and lightweight that can be setup anywhere. Available in cleanroom-safe materials including clear Acrylic, Static dissipative PVC and polycarbonate.
- 10 mm. Clear Polycarbonate glove box is a good choice for operations with many corrosive chemicals and alcohol.
- Overall dimensions (Main chamber): W400 X D400 X H400 mm.
- Lift-up front window with Clear Non dissipative window allows easy parts transfer from inside the Glove box.
- Two 150 mm. Diameter glove port use glove 156 mm. Diameter with O-Ring



Mini Glove Box W40A

Accessories:

- O-Ring for glove port 2 pcs.
- Pressure gauge 1-10 bar.
- Natural rubber glove. Diameter 156 mm. Length 500 mm.

Options:

- Digital Hygrometer and Thermometer. Data Logger for humidity and temperature
- Re-regenerable Silica gel desiccant cartridge
- Vacuum pump for purge control.
- Gas (N₂, O₂, or Air) gas in port Push-to Connect fitting and gas-out bleeding valve.
- Flow meter with adjusting valve.

Specifications:

Model	Mini Glove Box W40	Mini Glove Box W40A
Material Clear Acrylic :	Yes	
Thickness :	10 mm.	
Overall Dimensions :	W400 x D400 x H400 mm.	
Port Diameter :	Ø 150 mm. x 2	
Door size :	≈ W330 x H330 mm.	
Gas port : The gas port for inert gas such as nitrogen, argon, air, etc. 2 pcs.	No	Yes
Pressure Gauge : 0 to 10 bar	No	Yes
Glove : PIERCAN, France., Type Natural Rubber (H), shape 10, size 8 thickness 4/10., length 500 mm., Glove port inner Diameter 220 mm.	Yes	

OPTIONS:

PIERCAN เป็นคู่มือป้องกันสารเคมีโดยเฉพาะกลุ่ม สามารถใช้ได้ใ้มาบนด้านเคมีกรรม ฆนด้านนิวเคลียร์ ด้านวิศวกรรมอิเล็กทรอนิกส์ สิ้นค่านำเข้าจากประเทศฝรั่งเศส

